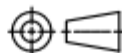


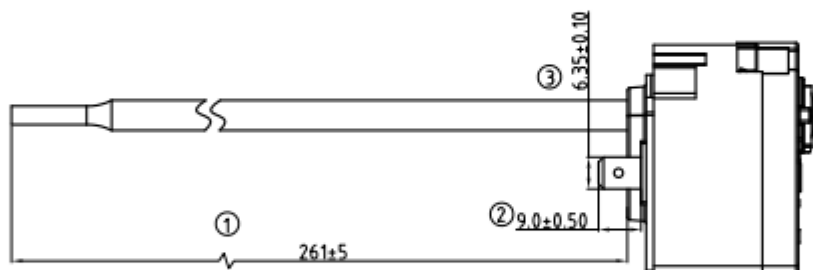
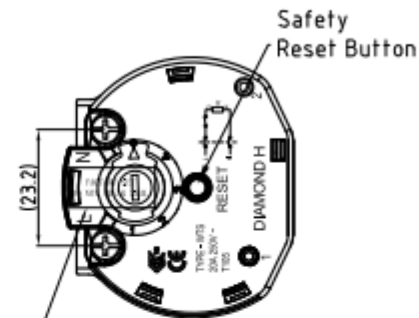
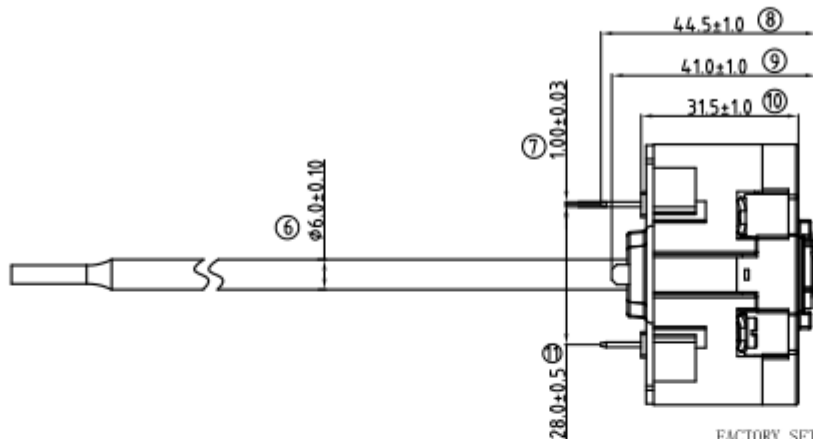
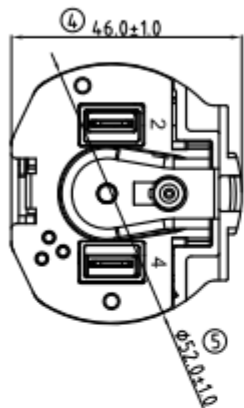
THIRD ANGLE PROJECTION



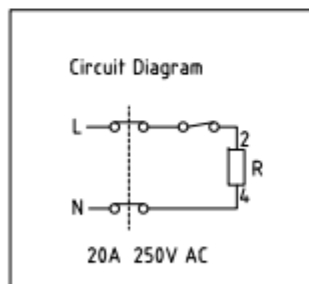
DIST'N

ISS. CHANGE & No.

2 ADDED FACTORY SET LABEL  
J.D. 2018.09.05



CERTIFICATE: BEAB, CE



Position of Control Knob



Control Chart		
Set Position	Temp Range °C	Diff °C
Bottom stop	30 Nominal	-
Factory Set 'Mark 5'	75±3	6±3
Top stop	80 Nominal	-
Safety Cut-out	90±3	

All rights reserved  
No part of this drawing may be reproduced without the prior written permission of Backer HTS

PRELIMINARY DRAWING  
NOT TO BE USED FOR TOOLING PURPOSES

DIMENSIONS IN MILLIMETRES  
LIMITS OTHER THAN STATED

HOLES UP TO 10mm  $\pm 0.1$   
00.0  $\pm 0.25$  (.010")  
00.00  $\pm 0.1$  (.004")  
00.000  $\pm 0.05$  (.002")  
ANGLES  $\pm 1^\circ$

THREADS I.S.O. BS 3643  
COARSE FIT MED. FITS  
6g/6H OR 6e/6G  
WHIT. BS 84 MED. FIT  
BA BS 93  
DO NOT SCALE  
IF IN DOUBT ASK

NAME	RT WTS series-Double pole water thermostat-11" length			
MATERIAL				
FINISH				
SCALE	1:1	APPROVED	Leo	STAGE
DRAWN	Tonny	CHECKED	J.D	DATE 2017-08-22



Backer Heating Technologies (Shenzhen)Co.,LTD  
No.45-5 Backer Hongshui Industry park Longli Logistics Shenzhen China

DRG.WAS

ISSUE Nos.

2									
SUB									
UNIT									

SA WTS22D11JM